



NOT TO SCALE

CONCRETE CURB, GUTTER
AND CURB & GUTTER

CITY OF MORGANTON

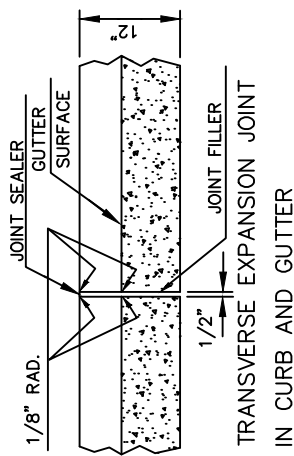
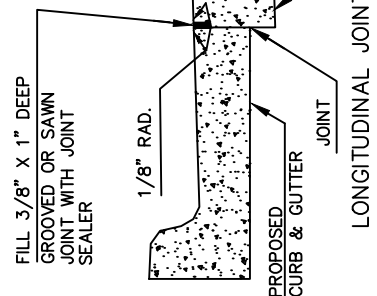
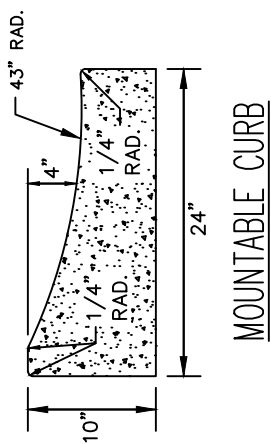
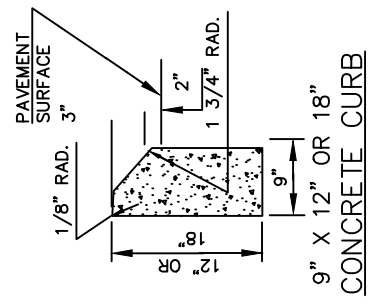
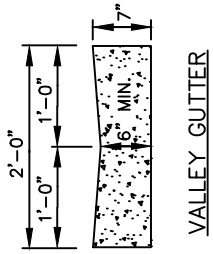
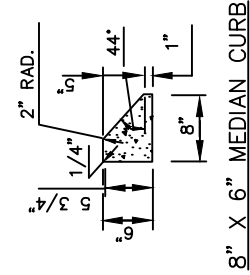
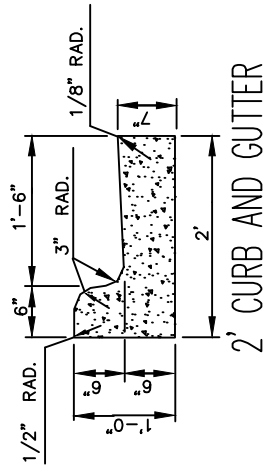
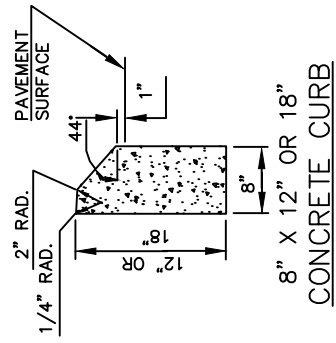
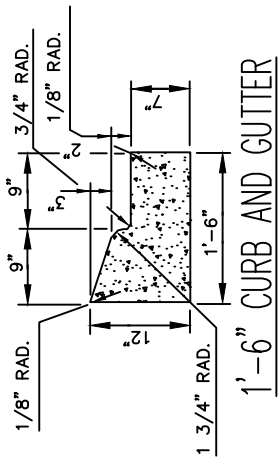
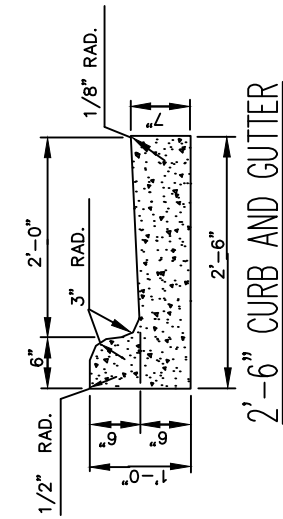
STD. NO.

402

DATE

10-19-07

SHEET 1 OF 1



GENERAL NOTES:

- PLACE CONTRACTION JOINTS AT 10' INTERVALS, EXCEPT THAT A 15' SPACING MAY BE USED WHEN A MACHINE IS USED OR WHEN SATISFACTORY SUPPORT FOR THE FACE FORM CAN BE OBTAINED WITHOUT THE USE OF TEMPLATES AT 10' INTERVALS.
- JOINT SPACING MAY BE ALTERED IF REQUIRED BY ENGINEER.
- CONSTRUCT NON-TEMPLATE FORMED JOINTS A MIN. OF 1 1/2" DEEP.
- FILL ALL CONSTRUCTION JOINTS, EXCEPT IN 8" X 6" MEDIAN CURB, WITH JOINT FILLER AND SEALER.
- SPACE EXPANSION JOINTS AT 90' INTERVALS AND ADJACENT TO ALL RIGID OBJECTS.
- CONCRETE SHALL HAVE A COMPRESSIVE STRENGTH OF 3500 PSI AT 28 DAYS.

SECTION VIEW OF JOINTS