

PRE-BID MEETING MINUTES
Resurfacing Project for the City of Morganton 2022;
Thursday, July 28, 2022, 9:00 AM
At City Hall

1. Mark Hall introduced himself and others present for the meeting and their involvement with the project.
2. Mark Hall reviewed the various dates associated with the bid and project completion.
3. City Staff ask that contractors provide all questions to City Engineer by email by Thursday, August 11, 2022, as to allow time to answer all questions by end of day on Tuesday, August 16, 2022.
4. City Staff ask contractors to provide a No bid if for some reason they would not be able to bid the project.
5. Mark Hall stated that the city may possibly take the project to City Council for approval at the September 12th council meeting, but would not give notice to proceed until after approval by City Council.
6. Mark Hall reviewed items on the bid proposals and contract documents that need to be completed.
7. Requirements for pay application to be AIA form or approved equal.
8. Other required documents for the awarded contractor:
 - a. Certificate of Liability Insurance required.
 - b. E-Verify Form required.
 - c. Iran Divestment Act Form required.
 - d. Vendor Application required.
 - e. W-9 Form required.
9. Contractor shall submit for approval on manhole and water valve risers.

Attachments:

Per-bid meeting sign in sheet

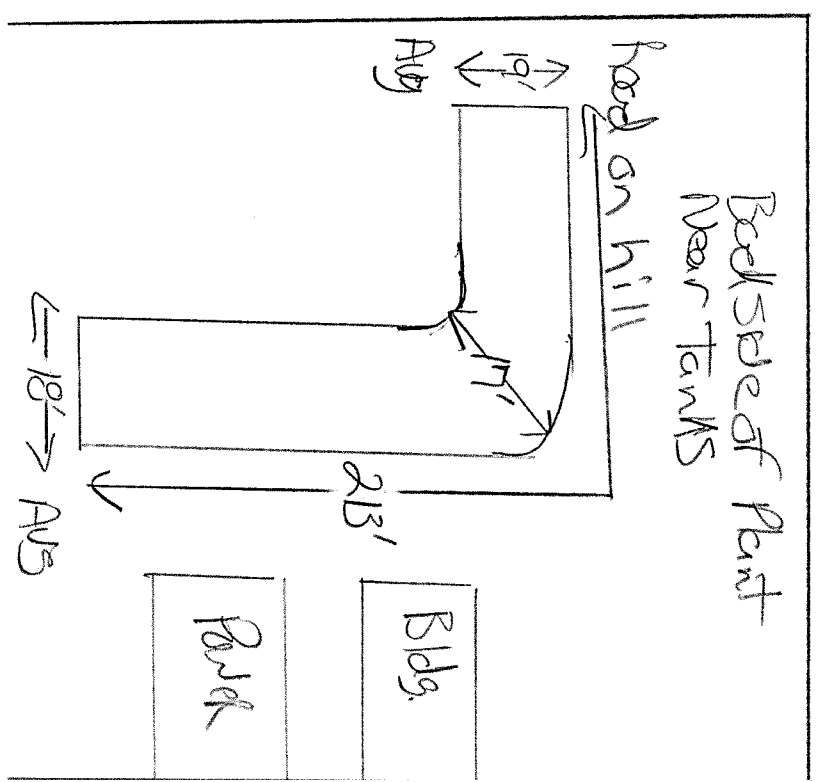
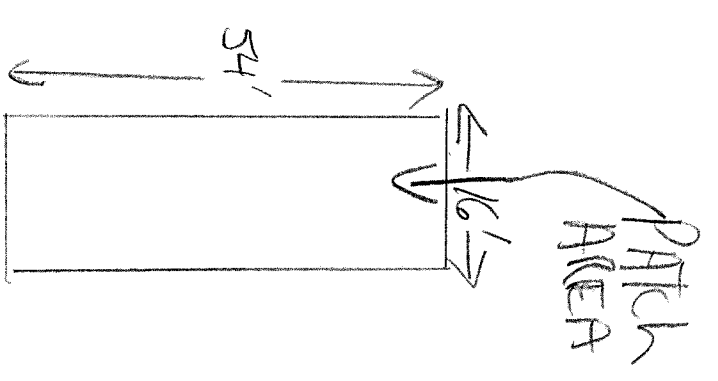
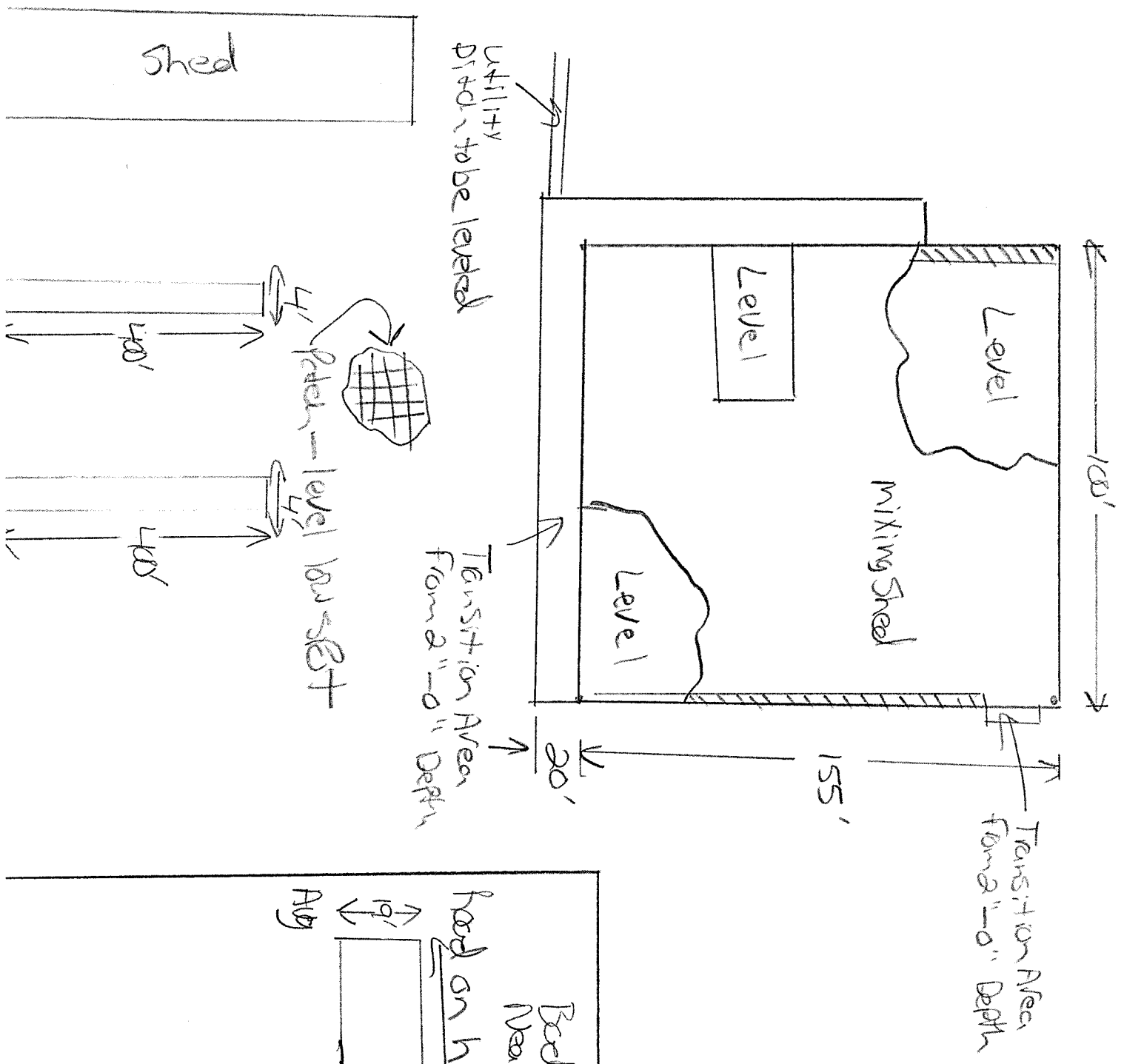
1000 Vine Arden Rd. Morganton Waste Water Treatment Plant Information Map

200 Huffman St. Forest Hill Cemetery Information Map

225 New St. Olive Hill Cemetery Information Map

Garrison Rd. Location Map

Morganton Waste Water Treatment Plant





1 inch = 200 feet



FOREST HILL CEMETERY

E Meeting St

Meeting Pl

Huffman St

E Concord St

Hogan St

Vollese Ave

Stephens Dr

Hilltop St

Carrollina St



1 inch = 100 feet

W Concord St

New St

OLIVE HILL CEMETERY



